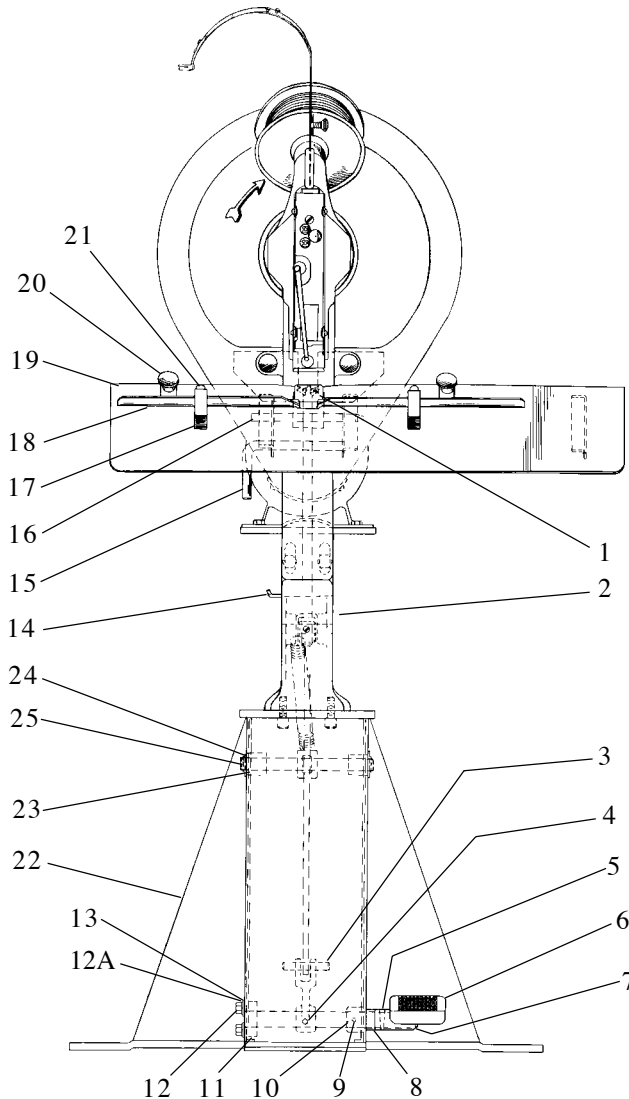


Front View



(Form 1132-1 pg 1)

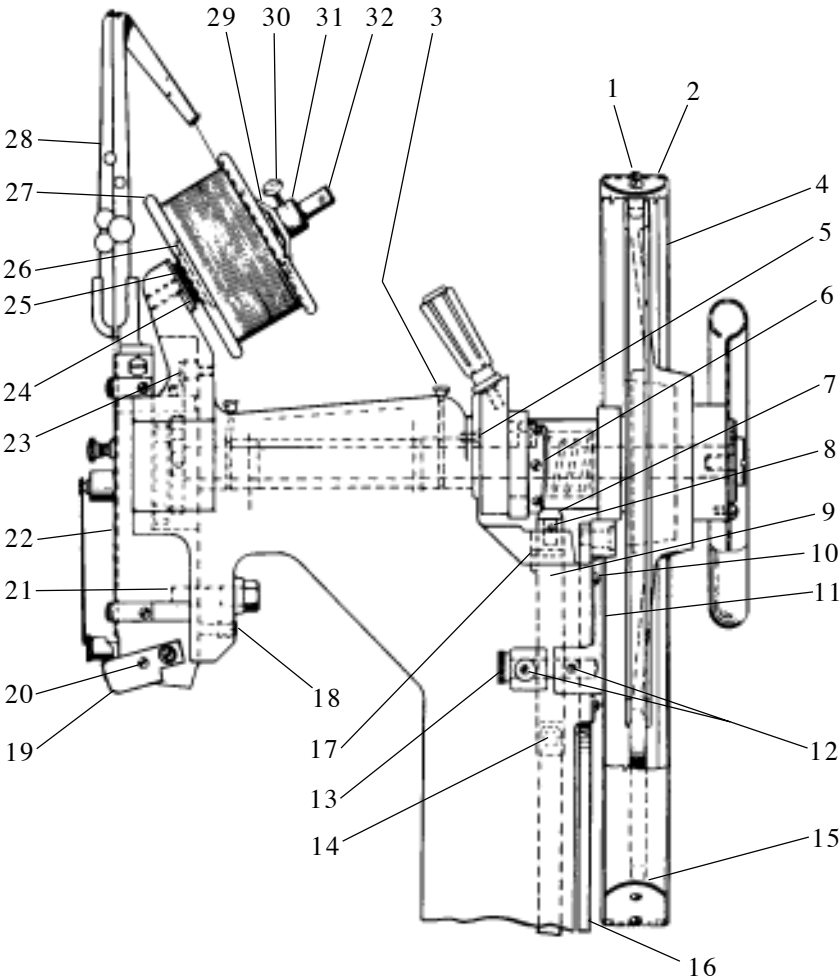
Index Number	Part Number	Part Description
1		CLINCHER PARTS, SEE PAGE 3, INDEX 1 THROUGH 4 FOR PART NOS. AND PART NAMES
2	CA2	TOP FRAME
3	CB185	CLUTCH ROD PIN
4	CB377	SET SCREW
5	CA112	TAPER PIN
6	CA7	FOOT PEDAL R.H.
7	CA14A	FOOT PEDAL SHAFT
8	CD1742	BEARING
9	CA47	SET SCREW
10	CA102	COLLAR
11	CA133	BEARING BLOCK
12	CB110	SCREW

Index Number	Part Number	Part Description
12A	CB371B	LOCKWASHER
13	CB718	WASHER
14	CA108	GAUGE HOOK
15	CA57	SADDLE LOCK PIN
16	CA56	SADDLE PIVOT PIN
17	CA53	WORK GAUGE STOP
18	CAA52	WORK GAUGE
* 19	CAA3	SADDLE WITHOUT GAUGE
20	CA55	WORK GAUGE SCREW
21	CA54	THUMB SCREW
22	A13412A	BASE
** 23	CB1448D	BEARING
** 24	CB837M	RETAINING RING
** 25	CA22A	INTERMEDIATE CLUTCH SHAFT

* When CAA3 Saddle is ordered, the following should also be ordered: CA142 Strap; CB77A Screw; CB806 Flat Washer; CB371A Lockwasher, CB493 Nut and SK698A Instruction sheet.

** For Use On Models After Serial No. 120100

Side View, Upper Section



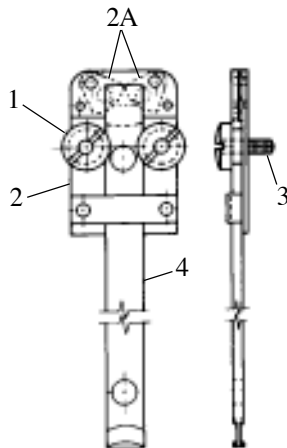
(Form I132-1 pg 2)

Index Number	Part Number	Part Description
1	CB70	CONNECTING PLATE SCREW
2	CB274	GUARD CONNECTING PLATE
3	CB45	OIL CUP
4	CAA45	GUARD-COMplete
5	CB352	FLAT HEAD SCREW
6	CB106	CLUTCH COLLAR TAPER PIN
7	CA21	CLUTCH RELEASE ROD END
8	CA118	SET SCREW
9	CAA18	CLUTCH RELEASE ROD ASSEMBLY
10	CB126	CLINCHER CAM SLIDE PLATE SCREW
11	CA60	CLINCHER CAM SLIDE PLATE
12	CB138	SET SCREW
13	CA62	PULLEY GUARD STUD
14	CA23	CLUTCH ROD CONNECTING PIN
15	CB275	GUARD CONNECTING PLATE
16	CAA15	CLINCHER CAM SLIDE, ROLLER AND STUD ASSEMBLY
17	CA31	CLUTCH RELEASE ROD GUIDE PIN
18	CA100	HEAD ADJUSTMENT SCREW
19	CA98A	FINGER GUARD

Index Number	Part Number	Part Description
20	CB401	FINGER GUARD SCREW
	CB1262	WASHER
21	CB157	BONNET BINDER SCREW
*22	CAA2005	M2000 STITCHER HEAD
		1/2" CROWN, ROUND WIRE
		#25 TO #30
	CAA2504A	MAGNATEK STITCHER HEAD
		3/8" CROWN, ROUND WIRE
		#25 TO #30
23	CA74	YOKE SHOULDER SCREW
24	CA46	WIRE SPOOL STUD WASHER
25	CA114A	WIRE SPOOL BEARING (PLASTIC)
26	CA113	WIRE SPOOL WASHER (METAL)
27	CBBB22	WIRE SPOOL, 5 LBS.
		(NOT INCLUDED WITH MACHINE)
28	CAA2133W	WIRE GUIDE SPRING ASSY. (M2000)
29	CB221	SPOOL FRICTION
30	CA54	THUMB SCREW
31	CA95	WIRE SPOOL STUD COLLAR
32	CA45	WIRE SPOOL STUD
33	CA139	SPOOL RETAINER

* When Stitcher Head (Index 22) is ordered as a service item, the Wire Guide Spring Assembly (Index 28) is supplied and is included in the price for the head.

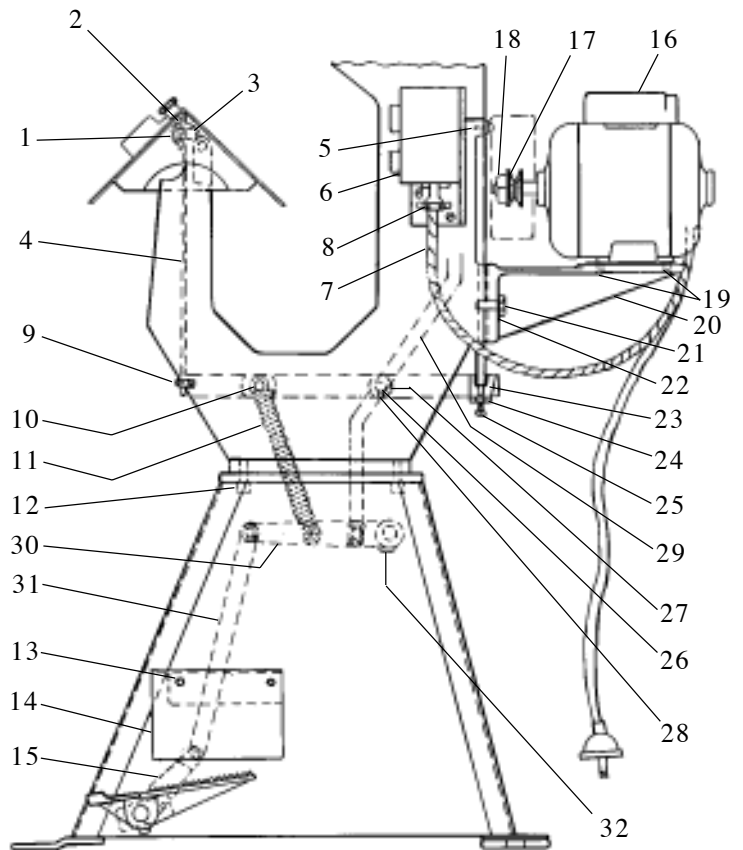
Clincher Assembly



Thin clincher points are standard for Model A Stitcher

(Form 1132-1 pg 3)

Side View, Lower Section



(Form 1132-1 pg 3)

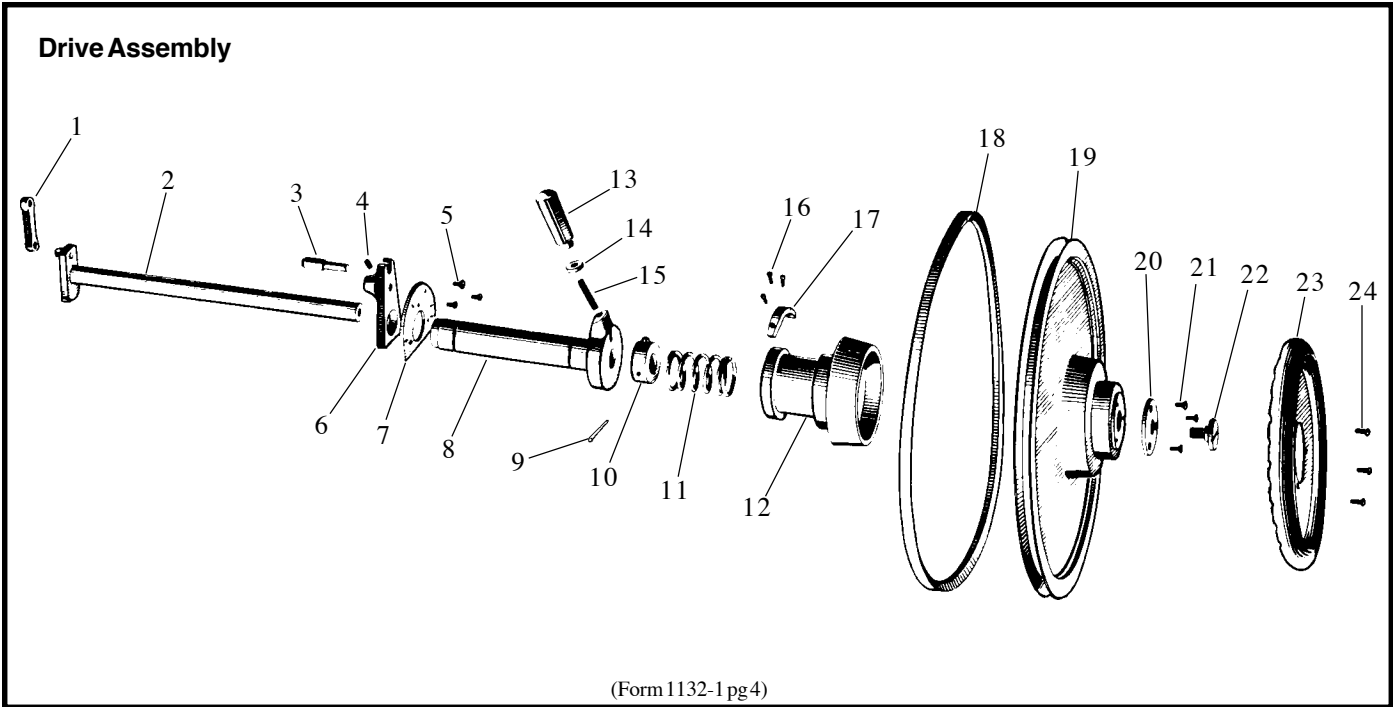
Index Number	Part Number	Part Description
1	CA2091	CLINCHER PLATE BINDER NUT
2	CAA2089	CLINCHER PLATE ASSEMBLY, (FOR THIN POINTS, 1/2" CROWN)
	CAA2089A	CLINCHER PLATE ASSEMBLY, (FOR THICK POINTS, 1/2" CROWN)
	CAA2589B	CLINCHER PLATE ASSEMBLY, (FOR THICK POINTS, 3/8" CROWN)
2A	CA9083	CLINCHER POINTS, THIS (.028"), 1/2" CROWN
	CA9083A	CLINCHER POINTS, THICK (.062"), 1/2" CROWN
	CA9583A	CLINCHER POINTS, THICK (.062"), 3/8" CROWN
3	CA2090	CLINCHER PLATE BINDER STUD
4	CA2095A	CLINCHER SLIDE
5	CB126	SWITCH SCREW
6	CB285C2	SWITCH
	CA132B	SWITCH BRACKET
7	CB283	SWITCH CORD AND PLUG
8	CB429	CORD GRIP
9	CA42	CLINCHER OPER. LEVER SLIDE PIN
10	CA82A	CLINCHER OPERATING LEVER SPRING STUD
11	CA94	FOOT TREADLE TENSION SPRING
12	CB314	FRAME SCREW

Index Number	Part Number	Part Description
13	CB487A	FOOT TREADLE TENSION SPRING
	CB371A	FOOT TREADLE GUARD L. WASHER
	CB493	FOOT TREADLE GUARD NUT
14	CA134	FOOT TREADLE GUARD
15	CE29	CLUTCH ROD LEVER
16	M3LA	MOTOR
17	CB176A	MOTOR PULLEY
18	CB177	SET SCREW
19	CB35A	MOTOR BASE SCREW
20	CA6	MOTOR BRACKET
21	CB375	CAP SCREW
22	CB179	WASHER
23	CAA9A	CLINCHER OPERATING LEVER ASSY.
24	CB411	LOCKNUT
25	CA68	ADJUSTING SCREW
26	CA30	CLINCHER OPER. LEVER PIVOT PIN
27	CA104	SPACER WASHER
28	CB59	SET SCREW
** 29	CA12	CLUTCH OPERATING ROD
	*CA12A	CLUTCH OPERATION ROD
** 30	CAA10	CLUTCH ROD LEVER ASSEMBLY
** 31	CA13	CLUTCH OPERATING ROD, LOWER
32	CB155	SCREW, 5/16-18x1/2LG. SOC.SET

** For use on Models after Serial No. 120100

* For use on Models prior to Serial No. 120100

MODEL A



Index Number	Part Number	Part Description
1	CA44	HEAD OPERATING LINK
2	CAA35	DRIVE SHAFT ASSEMBLY, WITH CRANK AND STUD
3	CA43	FACE PLATE ADJUSTING STUD
4	CA50	SET SCREW (FOR FACE PLATE ADJ. STUD)
5	CB352	FLAT HEAD SCREW
6	CA72	ECCENTRIC ADJ. SLEEVE YOKE
7	CA36	ECCENTRIC ADJ. SLEEVE PLATE
8	CA34	ECCENTRIC ADJ. SLEEVE (ECCENTRIC QUILL)
9	CB106	CLUTCH COLLAR TAPER PIN
10	CAA40	CLUTCH COLLAR AND GUIDE PIN ASSEMBLY
11	CA20	CLUTCH SPRING

Index Number	Part Number	Part Description
12	CA17	CLUTCH CONE
13	CE89	ECCENTRIC ADJ. SLEEVE HANDLE
14	CA92	ECCENTRIC HANDLE STUD WASHER
15	CA91	ECCENTRIC HANDLE STUD
16	CA49	CLUTCH SEGMENT SCREW
17	CA48	CLUTCH SEGMENT
18	CA79	V-BELT
19	CAA73	DRIVE PULLEY (FLYWHEEL)
20	CA88	DRIVE PULLEY WASHER
21	CB352	FLAT HEAD SCREW
22	CA90	DRIVE PULLEY THRUST STUD
23	CA80	HAND WHEEL
24	CB126	HAND WHEEL SCREW

WHEN ORDERING PARTS, PLEASE STATE: QUANTITY REQUIRED, PART NUMBER, PART NAME, WIRE SIZE AND CROWN WIDTH OF YOUR STITCHER.

ISP Stitching & Bindery Products

USA:
 3911 S. Memorial Dr. Racine, WI 53403
 1-800-345-6641 1-262-598-5421
 Fax: 1-262-598-5426
www.ispstitching.com